



# Design Concepts

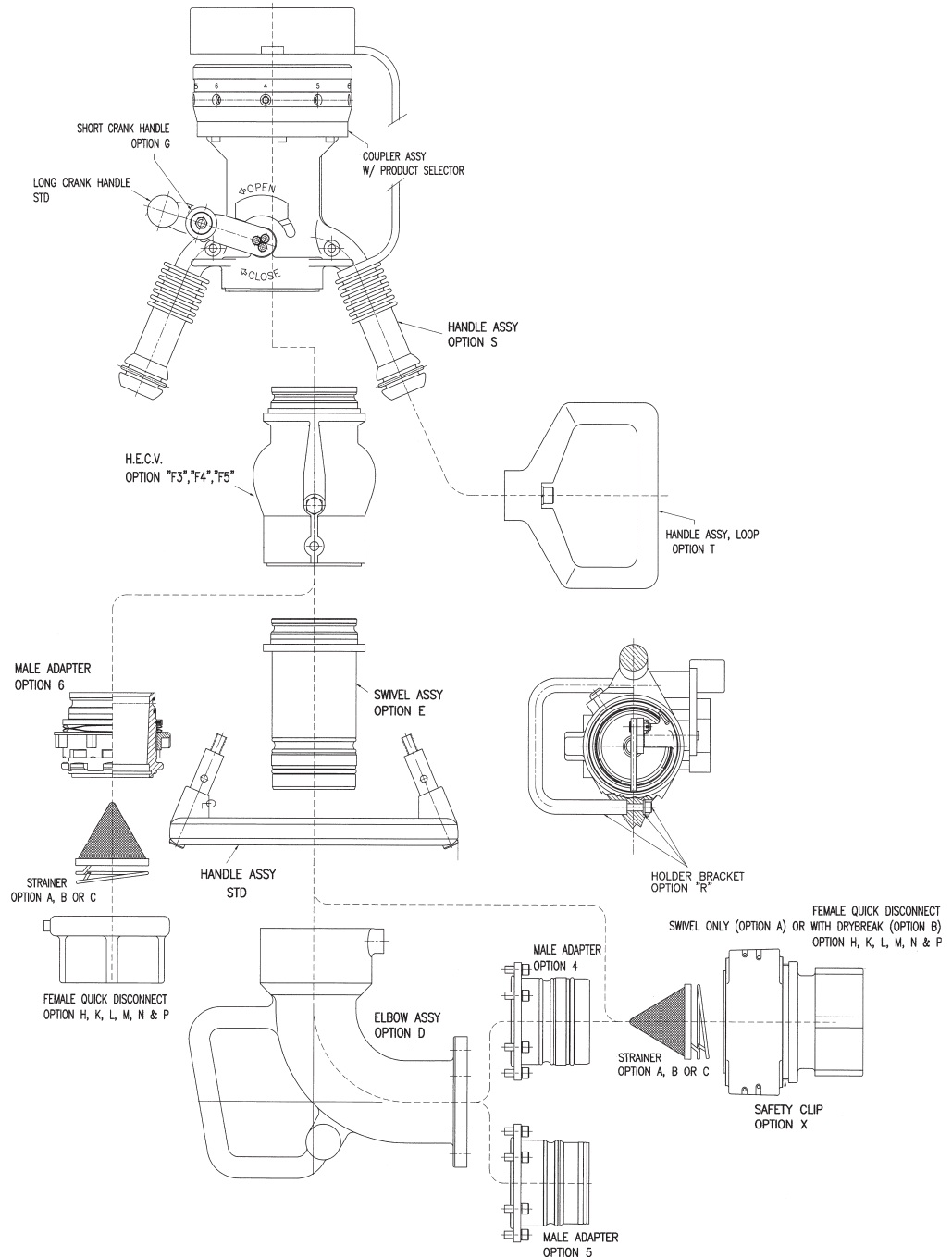
Eaton's Carter product line includes a variety of hydrant couplers. Model 64300 Hydrant Coupler is designed to connect a hydrant service to a hydrant valve which incorporates a 2½-inch international standard three lug aircraft bayonet adapter. Model 64300 is a lightweight, rugged coupler that utilizes many parts common to Eaton's Model 64250 nozzle.

## Features

- Improved swivels incorporated in elbow for easier operation
- Many of the parts are identical and, therefore, interchangeable with the Model 64250 nozzle
- Self-adjusting pressure loaded nose seal automatically compensates for temperature extremes, side loads and worn adapters
- Mates with 2½-inch international standard bayonet type adapter
- Mechanical interlock prevents fuel flow until coupler is secured to hydrant adapter. Coupler cannot be disconnected from hydrant valve until fuel flow is stopped.
- Circular handle standard. Also available with rugged loop hands
- Product selection feature available to fit either U.S. standard or Avery Hardoll as options
- Extra heavy duty 90° elbow with double swivels available as an option
- When equipped with shroud with oversized I.D. (Option J), can be utilized for bottom loading refuelers

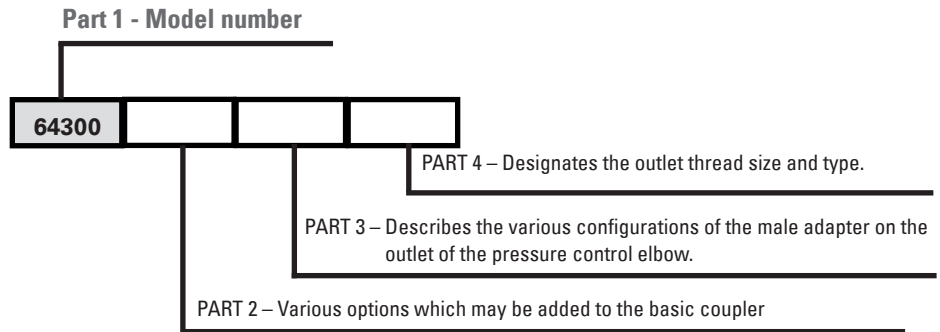
## Illustrated Options

The part number of a complete coupler consists of the basic coupler, combined with various options as illustrated below.



# Ordering Data

To achieve a complete coupler, select the basic model number 64300 and add the desired options from Parts 2, 3 and 4, below.



## PART 2

One or more of these options may be added to the basic model number to obtain desired features that are optional.

Option Letter	Description	Option Letter	Description
A	Adds 40-mesh strainer	G	Substitutes short crank handle for standard handle
B	Adds 60-mesh strainer	H	Adds product selection to mate positions 1-5 of Avery Hardoll valves
C	Adds 100-mesh strainer	J	Adds shroud with oversized I.D. for bottom loading
D	Adds 90° elbow - terminates in 6-bolt flange to mate various options	P	Adds standard product selection
E	Adds swivel assembly (44701)	R	Adds holder bracket
F3	Adds 35 psi (2.413 bar) Hose End Control Valve (HECV)	S	Adds short handle assembly
F4	Adds 45 psi (3.103 bar) HECV	T	Adds loop handle assembly
F5	Adds 55 psi (3.792 bar) HECV	X	Adds safety clip to low friction swivel Quick Disconnect (QD)

## Part 3

One of these options must be added to determine the outlet male adapter configuration.

Option Number	Description
4	Adds short male half adapter to Option D elbow
5	Adds Whittaker style male adapter
6	Adds male adapter (cannot be used with Options D or E)

## Part 4

One of these options must be added to specify the outlet thread size and type.

Option Letter	Description
A	Adds non-valved swivel female QD
B	Adds drybreak female QD - applicable to Option E (Part 2) and Option 4 (Part 3) only
H	Adds 2½-inch NPT thread QD
K	Adds 2½-inch BSPP thread QD
L	Adds 3-inch NPT thread QD
M	Adds 3-inch BSPP thread QD
N	Adds 2-inch BSPP thread QD
P	Adds 2 inch NPT thread QD

**Eaton**  
**Aerospace Group**  
**Fluid & Electrical Distribution Division**  
**9650 Jeronimo Road**  
**Irvine, California 92618**  
**Phone: (949) 452 9500**  
**Fax: (949) 452 9992**  
**E-mail: [groundfueling@eaton.com](mailto:groundfueling@eaton.com)**